

1

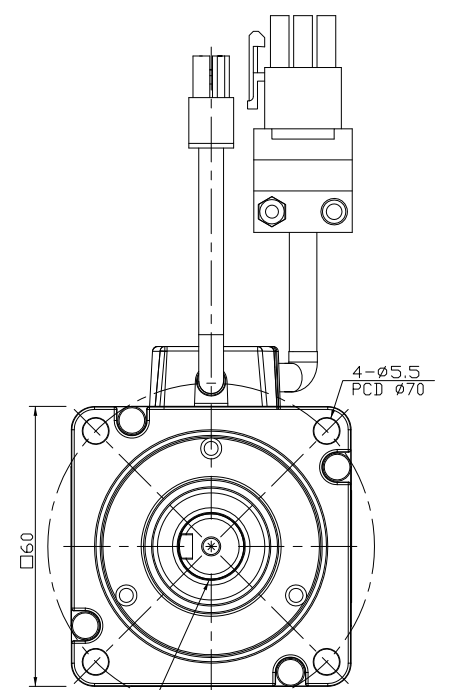
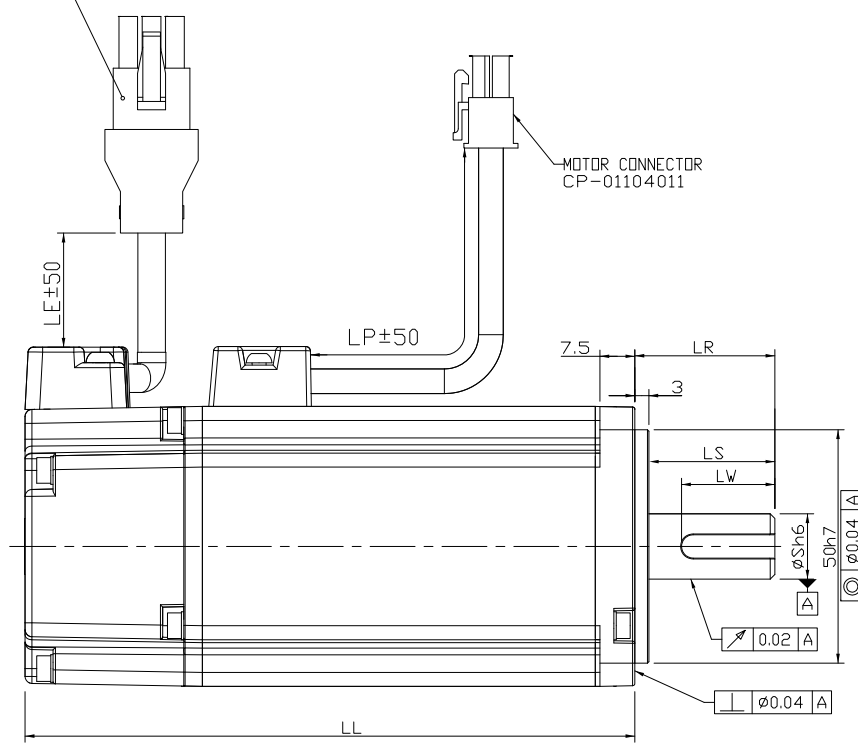
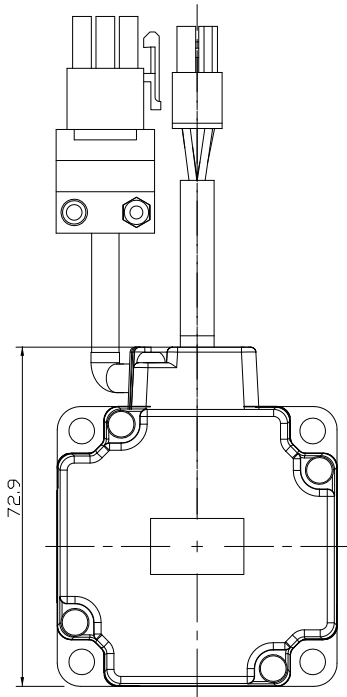
2

3

4

ENCODER CONNECTOR
AMP 1-172169-9

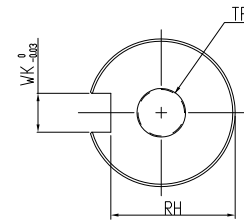
MOTOR CONNECTOR
CP-01104011



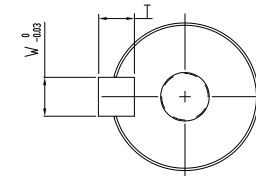
OIL-SEAL(TC TYPE)
ONLY FOR OIL-SEAL MODEL

DIMENSION TABLE (MODEL WITHOUT BRAKE)

MODEL	LL	LR	LS	S	LW	WK	W	T	RH	TP	LP	LE
ECMA-JC□0604ES	130.7	30	27.0	14	20	5	5	5	11.0	—	300	300
ECMA-JC□0604RS										M4, Depth 15		



SHAFT END DETAILS



KEY DETAILS

台達電子工業股份有限公司 DELTA ELECTRONICS, INC.	DRAWN:	DESIGN:
	DATE:	ECN NO.:
THESE DRAWINGS AND SPECIFICATIONS ARE THE PROPERTY OF DELTA ELECTRONICS, INC. AND SHALL NOT BE REPRODUCED OR USED AS THE BASIS FOR THE MANUFACTURE OR SELL OF APPARATUS OR DEVICES WITHOUT PERMISSION.	DIMENSIONAL TOLERANCES () () () ANGLES DECIMALS 0-4 ±0.05 <50 ±0.1 <50 ±0.5 <30° ±0.1° X ±0.3 4-16 ±0.08 >50-100 ±0.15 >50-100 ±1.0 >30°-60° ±0.3° X.X ±0.2 16-63 ±0.12 >100-200 ±0.2 >100-200 ±1.5 >60°-90° ±0.5° X.XX ±0.1 63-200 ±0.2 >200 ±0.2% >200 ±0.3%	
	DRAWING NAME: MOTOR_F60_380V	A3 SIZE THIRD ANGLE PROJECTION
USED ON	UNIT mm	SHEET 1 OF 1

1

2

3

4