

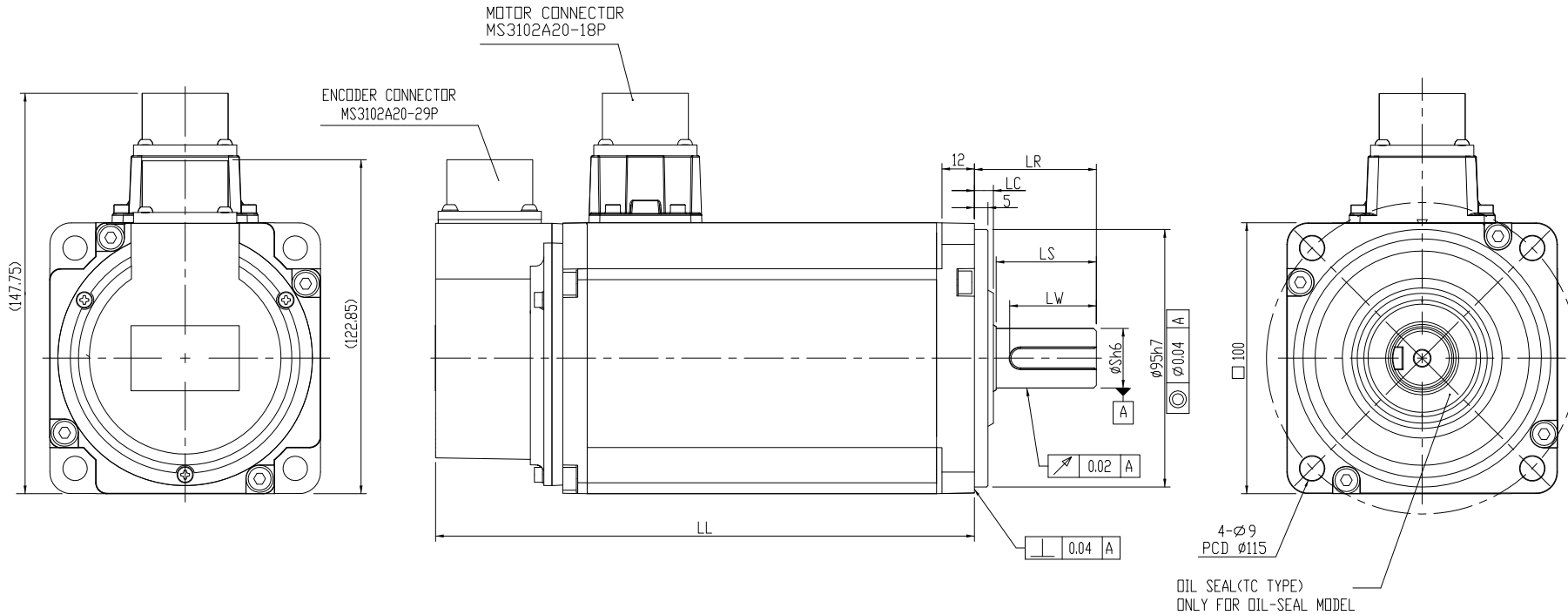
1

2

3

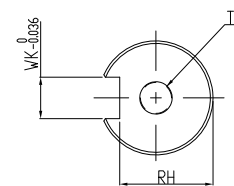
4

REV. ECN NO.

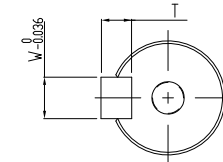


DIMENSION TABLE (MODEL WITHOUT BRAKE)

MODEL	LL	LR	LS	LC	S	LW	WK	W	T	RH	TP
ECMA-J11020R4	199	45	37.0	7	24	32	8	8	7	18	M6, Depth 20



SHAFT END DETAILS



KEY DETAILS

2

3

4

台達電子工業股份有限公司 DELTA ELECTRONICS, INC.	DRAWN:	DESIGN:
	APPROVE:	DATE: 12/03/2014
THESE DRAWINGS AND SPECIFICATIONS ARE THE PROPERTY OF DELTA ELECTRONICS, INC. AND SHALL NOT BE REPRODUCED OR USED AS THE BASIS FOR THE MANUFACTURE OR SELL OF APPARATUS OR DEVICES WITHOUT PERMISSION.	DIMENSIONAL TOLERANCES () () () ANGLES DECIMALS <50 ±0.1 <50 ±0.15 <50 ±0.2 <30° ±0.1° X ±0.3 >50-100 ±0.15 >50-100 ±0.2 >50-100 ±0.25 >30°-60° ±0.3° X.X ±0.2 >100-200 ±0.2 >100-200 ±0.25 >100-200 ±0.3 >60°-90° ±0.5° X.XX ±0.1 >200 ±0.2% >200 ±0.25% >200 ±0.3%	
DESCRIPTION: ECMA-J11020R4	CONFIDENTIAL A3 SIZE THIRD ANGLE PROJECTION	PART NO.: SHEET 1 OF 1
USED ON	UNIT: mm	SCALE: 00